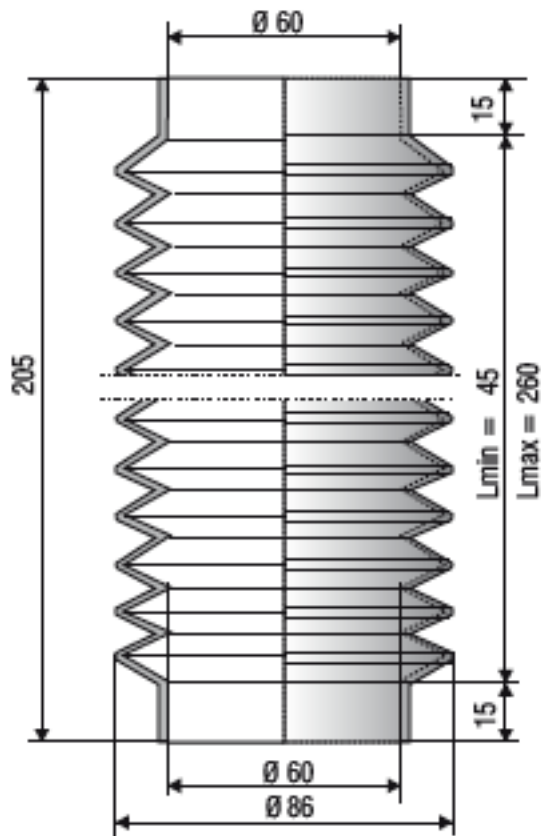


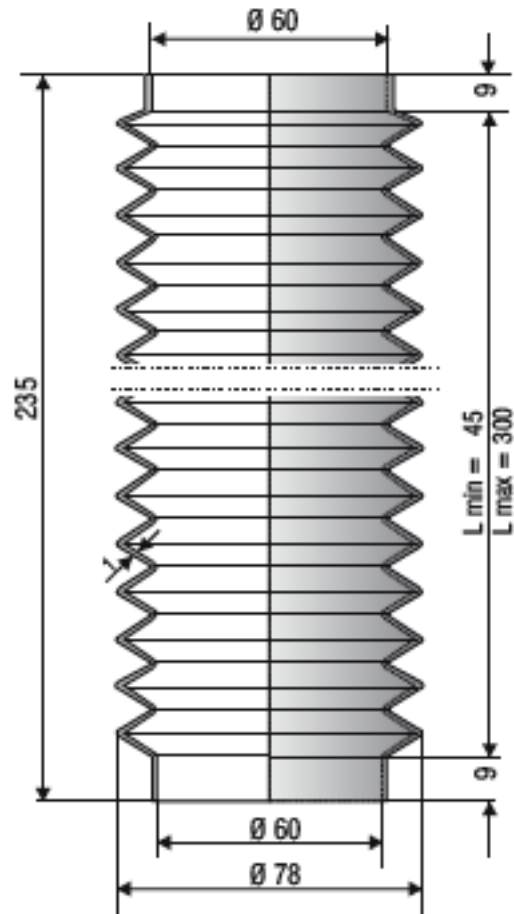
F 1207 NBR



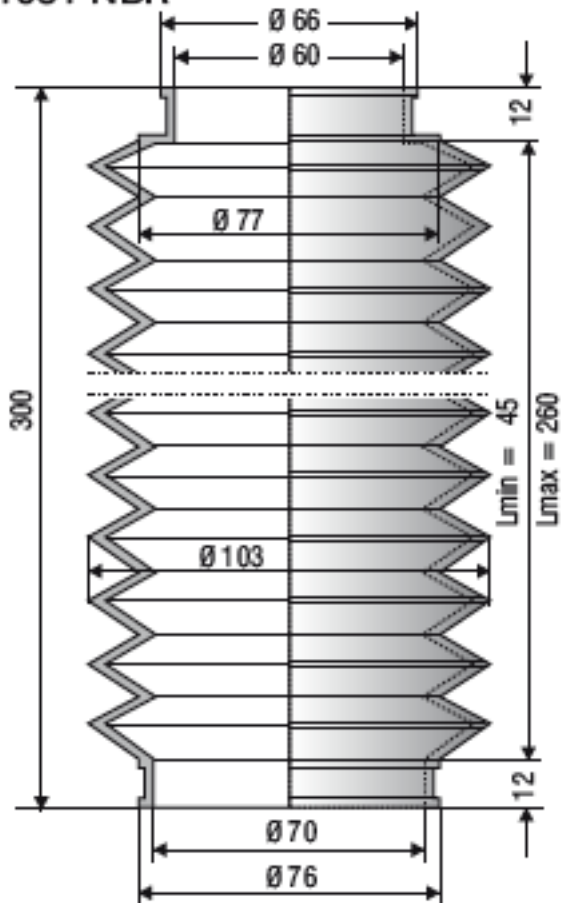
F 2001 Si (rot/red)

F 2001 NBR

F 2001 EPDM



F 1031 NBR



F 2005 Si (rot/red)

